

Vigilon Compact Voice

Combined Fire Detection and Voice Alarm System

Vigilon Compact Voice is an innovative system solution to Fire Detection and Voice Alarm. The control panel integrates fire and voice functionality in one unit combining advanced Vigilon detection technology with the innovative distributed Voice Alarm and Public Address. All in the same compact enclosure.

Vigilon Compact Voice is an innovative system that integrates fire detection and voice alarm. Advanced fire detection technology and high quality distributed voice alarm and public address are delivered in a single control panel.

The scalable architecture ensures Compact Voice remains cost effective for small applications such as retail outlets and schools whilst still being able to satisfy more complex 'Life Safety' and PA requirements imposed by larger buildings such as hotels, office complexes and leisure centres.

Advanced Fire Detection System

- 2 Vigilon detection loops
- Compatible with complete range of Vigilon powered loop devices including S-Quad multisensors interfaces and loop powered strobes
- Comprehensive cause and effect
- Connection to Vigilon networks (fire only)
- Battery backed operation during mains failure

Powerful Voice Alarm

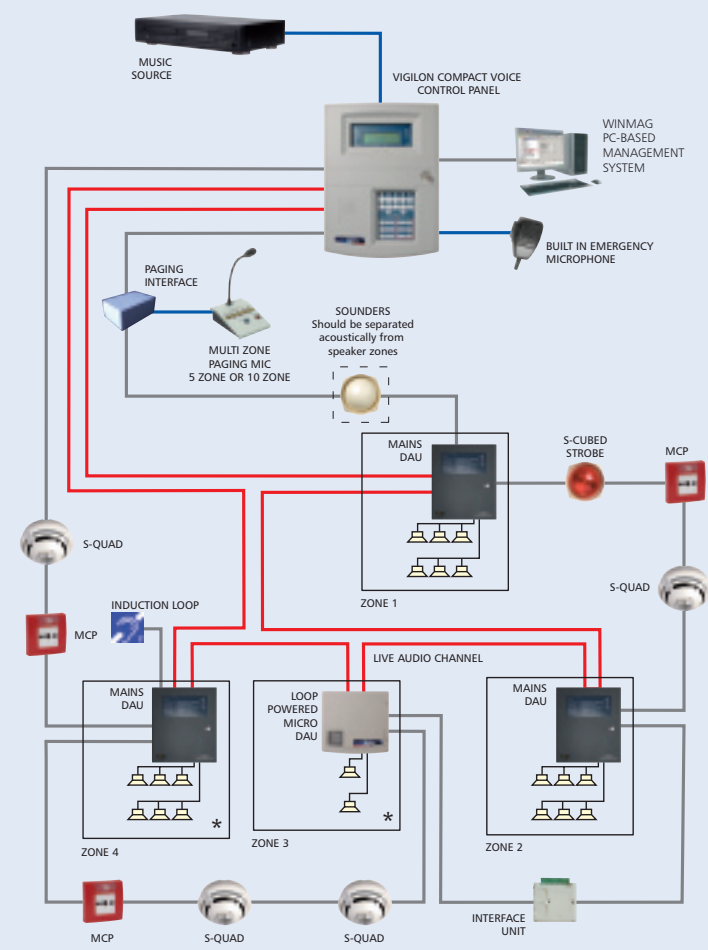
- Fully Functional Voice Alarm for up to 10 evacuation zones
- Distributed Amplifier Architecture
- 60 watt Distributed amplifier unit (DAU) with advanced class D amplifier
- Innovative Loop Powered DAU
- Fault redundancy with local message store
- Centrally stored emergency and advisory messages
- Local and site wide background music
- Local audio output for use with Induction Loop
- Flexible 10 zone Public Address
- 10 zone pagings

Cost Effective System Architecture

- Distributed architecture delivers reduced cable and installation costs
- Combined Public Address and VA functionality in one system
- DDA compliant output to local Induction loop for hard of hearing
- Flexible configuration of fire evacuation cause and effect
- Fault redundancy through use of Fire detection cabling



Schematic of Architecture

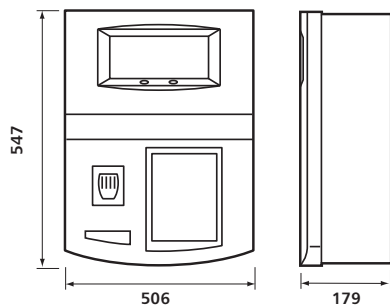


* Loudspeakers, Loop DAU requires special 64 Ohm low impedance speakers
Mains DAU uses standard 100v line speakers

Vigilon Compact Voice

Vigilon Compact Voice Control Panel

DIMENSIONS (mm)



- Vigilon Compact control panel with 2 Detection loops and Voice Alarm controls in a single panel housing.
- Integral Emergency Fireman's microphone
- Message store for manual routing of pre-recorded emergency and non-urgent messages
- Audio input for public address and background music
- Integrated fire and VA commissioning tool.

Mains Powered DAU

The Mains Powered DAU is a new addition to Compact Voice System increasing the design capability and flexibility of the system. The new Amplifier Unit allows connection to a comprehensive range of standard 100 volt loudspeakers meeting the needs of any VA application at the same time as maintaining the advantages already delivered by the Compact Voice System.

- Two x 30 Watt Class D amplifiers (Maximum 60W per DAU)
- Fault tolerant amplifier hot standby as standard
- The DAU can be located anywhere on the detection loop, reducing loudspeaker cable length
- Up to 10 DAUs per Vigilon loop (20 per system)
- Fault tolerant – actions local messages if audio loop fails
- Local and independent volume adjustment of voice alarm, PA and background music
- Designed to comply with EN54 Part 16 or BS 5839 Part 8
- Internal PSU
- Microphone input for Local Emergency Microphone, Paging or background music
- 4 monitored inputs for control of VA and or Fire system, 1 auxiliary relay output for interfacing with local plant or equipment.

COMPACT VOICE ALARM PANEL TECHNICAL SPECIFICATION	
MAX NO OF LOOPS	2
LOOP CAPACITY	200
INGRESS PROTECTION	IP31
APPROX WEIGHT	28 Kg including batteries
OPERATING TEMP.	0°C to +45°C
RELEVANT STANDARDS	EN54: 2&4, BS 5839-8
BATTERIES	2 x 12V @ 12Ah
BATTERY STANDBY	24 hrs + 30 mins alarm
SUPPLY VOLTAGE	216V–253V 50-Hz
POWER CONSUMPTION	75W
CABLE ENTRY	Top and rear knock outs
AUXILIARY CONTACTS	Programmable to activate on fire, fault or disablement (1 x SPCO, 1 x DPCO)
COMMUNICATION PORTS	2 x RS485, 1 x RS232 selectable functions
SONDER CIRCUITS	2 circuits @250mA each
MONITORED INPUT	1 input which is programmable to perform a logical action via a command build
NETWORK	Copper network card (max 31 panels per node)

MAINS DAU TECHNICAL SPECIFICATION	
AUDIO INPUT	Three balanced line level inputs for the connection of local background music, local PA input, central audio
AUDIO OUTPUT OPTIONS	2 x 100 volt loudspeaker circuits (A+B) up to a total 60W output power 2 balanced line level outputs suitable for 3rd party VA amplifiers or induction loop equipment
INGRESS PROTECTION	IP31
MAX WEIGHT	8 Kg
POWER SUPPLY	230V ac 50/60Hz
BATTERIES	2 x 12V @ 7Ah
BATTERY STANDBY	24 Hours + 30 minutes alarm
CABLE ENTRY	Top and rear
DIAGNOSTICS	Comprehensive fault management All status and historic data can be accessed via the Master Control Panel

DIMENSIONS (mm)

