

GENT

by Honeywell

6.1: VIGILON CONTROL PANELS

Repeat Panel

A repeat panel repeats all information provided to the main control panel and provides mains control functions.

The repeat panel is connected directly to the loop but requires a mains supply to run its battery backed power supply.

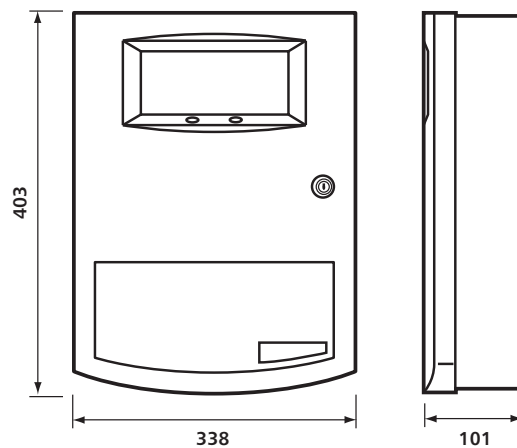


Vigilon Repeat Panel

TECHNICAL SPECIFICATION

Type	Repeat panel
Max No per Loop	4
Loop Capacity	N/A
Batteries	12V @ 7Ah
Battery Standby	24 hours standby + 30 minutes alarm, upgradeable to 72 hours standby + 30 minutes alarm
Approx Weight	9 Kg
Operating Temperature	0°C to 45°C
Relevant Standard	EN54 Part 2 & 4
Cable Entry	Top and rear knockins
Approvals	Applied for

Dimensions (mm)



ORDER CODES

Repeat Panel VIG-RPT-72*

Repeat panels require a first fix VIG-RPT-1ST-FIX

Stainless steel door VIG-RPT-DOOR-SS

Stainless steel flush frame COMPACT-FLUSH-SS

* VIG-RPT-72 is compatible with EN 54 and BS Vigilon System